

GPS sensor

JLR-4350



High-accuracy positioning with multi-GNSS* sensor

- Achieve stable positioning with signals of up to 22 satellites
- Quick positioning capability
- Complies with the output format of NMEA 0183 and IEC 61162-1

* GPS, GLONASS, BeiDou, SBAS, QZSS

Features

Realized high-accuracy positioning with multi-GNSS compatible

It corresponds to five satellite systems of GPS, GLONASS, BeiDou, SBAS and QZSS, and high-accuracy positioning than single positioning by GPS is possible.

Up to 22 satellite signal trackable *2

The Newly designed multi-GNSS compatible sensor allows simultaneous receiving of signals of up to 22 satellites, and achieves stable positioning.

Quick positioning capability

Typically 4 seconds for first position fixing without GPS almanac data. Positioning completes in 35 seconds after power on even if the receiver has been left powered off for a long time.

Complies with the output format of NMEA 0183 and IEC 61162-1

It corresponds to NMEA 0183, IEC 61162-1 format which is standard of navigation equipment. NMEA 0183 is compatible with versions 1.5, 2.1, 2.3, and 4.0, and can be connected to radar, fish finder, plotter, etc.

Specifications

Sensor type	Multi-GNSS (GPS/GLONASS/BeiDou/QZSS/SBAS)
Maximum Number of Tracked Satellites	22 Satellites
Frequency	1575.42 MHz±1 MHz (C/A code) GPS/QZSS/SBAS
	1598.063 – 1605.375 MHz (FDMA) GLONASS
	1561.098 MHz±2 MHz (B1) BeiDou
Sensitivity	less than -144 dBm
Time to first fix	Typically 35 seconds (cold start fix)
	Typically 33 seconds (warm start fix)
	Typically 4 seconds (hot start fix)
Position update	Normally every 1 second
Data output	Selection among NMEA 0183, IEC 61162-1 Selection among NMEA 0183 Version 1.5, 2.1, 2.3, 4.0 (Default:Version 1.5)
Geodetic Datum	Selection among 48 geodetic datum (Default:WGS-84)
RAIM function *5	Built-in
Power Supply Voltage/ Power consumption	12/24 VDC /less than 1.0 W
Operating temperature	-25 °C - +55 °C
Mass	Approx. 1.2 kg
Protection Rate	IP56, IEC60945 Ed.4 conformant

Accuracy

Combination for Multi-GNSS	Accuracy (2DRMS)
GPS+GLONASS+QZSS	4 m
GPS+BeiDou+QZSS	
GPS+GLONASS	
GPS+BeiDou	
GPS+SBAS	5 m
GPS+QZSS	
GPS	

• Specifications may be subject to change without notice.

Configuration

Standard configuration

Name	Model	Q'ty	Notes
GPS sensor	JLR-4350	1	Including 15m (49.5ft) cable with connector
Instruction manual	7ZPNA4693	1	
Cable Guard Rubber	MPPK31468	1	

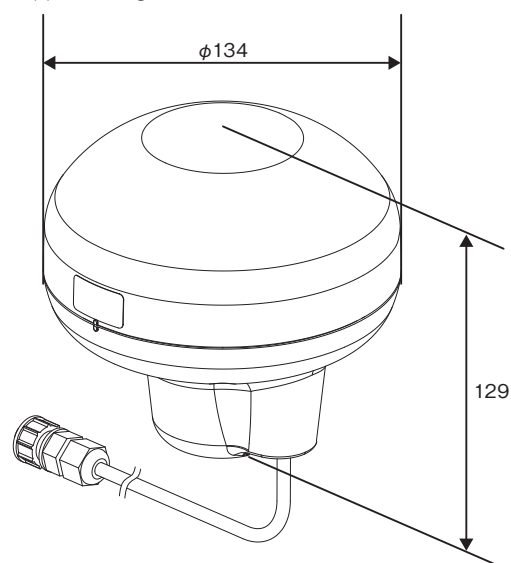
Option

Name	Model	Notes
Screw adapter	MTV302007A	
Mounting band	MPBP02520	
Extension Cable	CFQ-9000	Including 15m cable with connector

Dimensions

 unit : mm

Mass : Approx. 1.2 kg



- * 1 : QZSS (L1C/A) No.1 Satellite only
- * 2 : Can not receive GLONASS and BeiDou at the same time.
- * 3 : Hot start fix
- * 4 : Cold start fix
- * 5 : RAIM:Receiver Autonomous Integrity Monitoring

For further information, contact:



Since 1915

Japan Radio Co., Ltd.

URL <http://www.jrc.co.jp/eng/>

Main Office: NAKANO CENTRAL PARK EAST
10-1, Nakano 4-chome, Nakano-ku, Tokyo
164-8570, Japan
Telephone: +81-3-6832-1816
Facsimile: +81-3-6832-1845

Overseas Branches : Athens, Manila
Liaison Offices : Taipei, Hanoi, New York
Overseas Subsidiaries : Shanghai, Rio de Janeiro, Jakarta
Rotterdam, Singapore, Houston

34EM

ISO9001, ISO14001 Certified